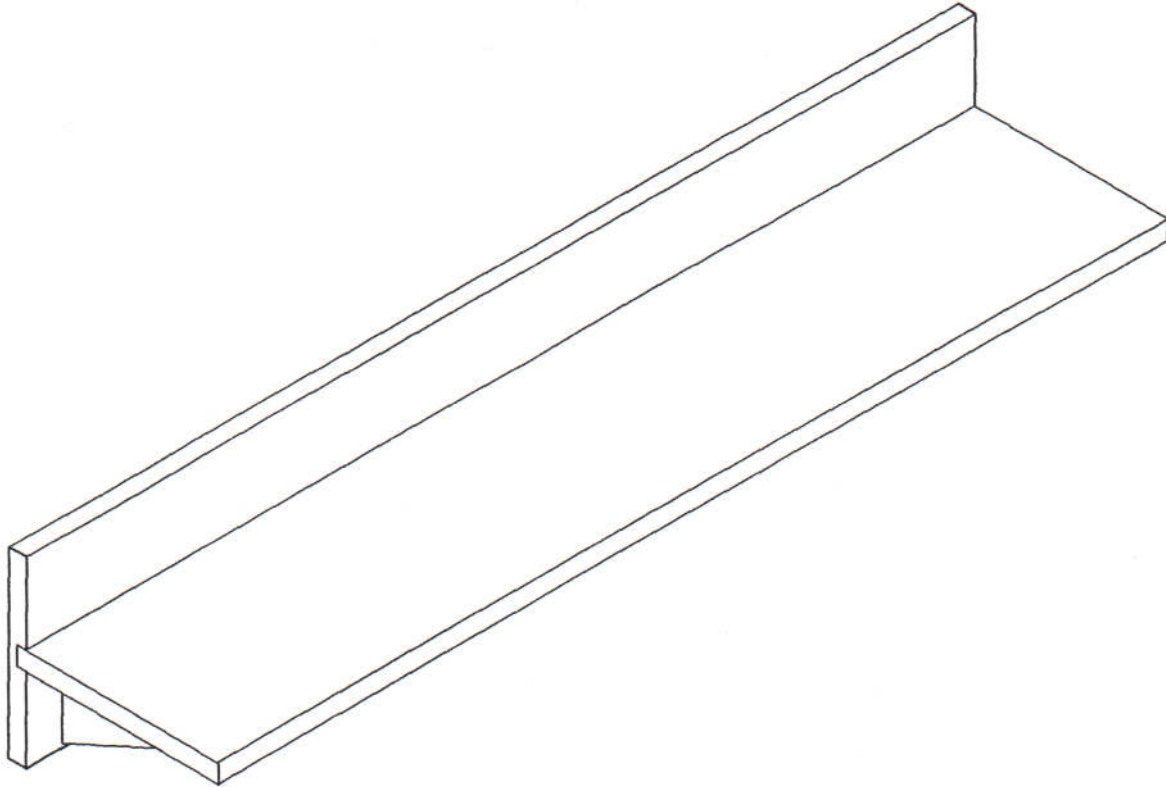


SEBASTIAN DARKROOM CASEWORK

DARKROOM UTILITY SHELF - SUS

THE "SUS" UTILITY SHELF PROVIDES SPACE FOR CHEMICAL STORAGE AND DARKROOM ACCESSORIES. IT HAS BOTH UPPER AND LOWER FLANGES FOR ANCHORING TO A WALL. IT IS AVAILABLE IN ANY LENGTH UP TO 120."



UTILITY SHELF MODEL	WIDTH	HEIGHT	DEPTH
SUS-XXI212	UP TO 120"	12"	12"



SEBASTIAN DARKROOM PRODUCTS™ DIVISION OF CALIFORNIA STAINLESS MFG.

Unique, Innovative & Engineered to Work
TOLL FREE (888) 712-7035 FAX (805) 484-1030

calstainless@aol.com

www.sebastiandarkroomprod.com