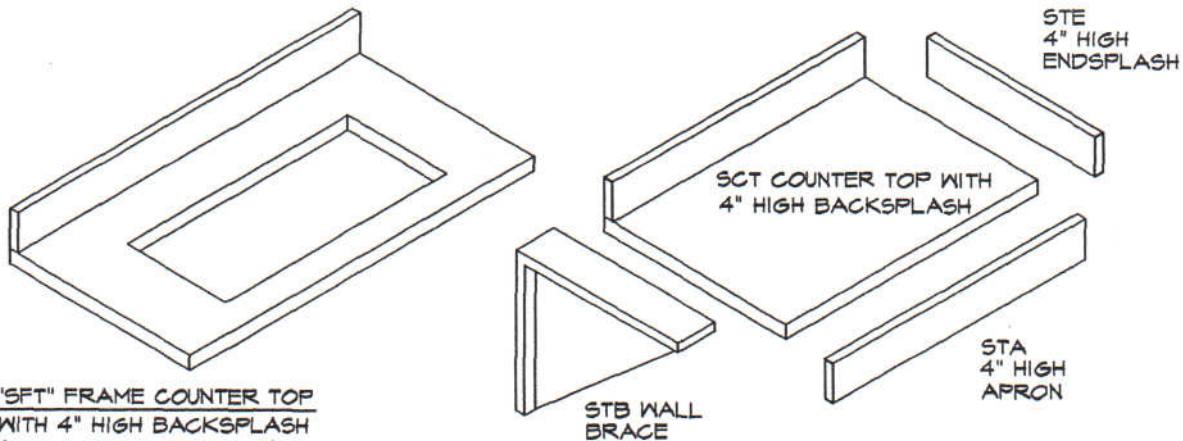


# COUNTER TOPS - SCT, SFT & SIT AND STE, STA, STB, SFJ & SMJ FEATURES

THE STANDARD COUNTER TOP "SCT" & "SIT" HAVE SQUARE SELF-EDGES ALL SIDES. THE "SCT" IS SUPPLIED WITH A 4" BACKSPLASH (DETACHED FOR EASY INSTALLATION). THE "SIT" TOP IS AN ISLAND COUNTER TOP THAT IS FINISHED ON ALL EDGES EXTENDING 1" ON ALL SIDES. MAXIMUM LENGTH IS 120". COUNTER TOP ENDSPLASH UNITS "STE" HAVE SQUARE SELF-EDGES TO MATCH THE BACKSPLASH. "STA" 4" HIGH COUNTER TOP APRONS ARE AVAILABLE WITH MATCHING SQUARE SELF-EDGES. "STB" WALL BRACES SUPPORT THE COUNTER TOP WHEN CABINETS, LEGS AND LEG PANELS ARE NOT USED. FIELD JOINTS "SFJ" and 45 DEGREE MITERS "SMJ" ARE AVAILABLE.



"SFT" FRAME COUNTER TOP WITH 4" HIGH BACKSPLASH (FOR A "DROP-IN" SINK)  
e.g. TO CREATE A CATALOG NO: USE "SFT" FOLLOWED BY OUTSIDE AND INSIDE DIMENSIONS, EXAMPLES:

- FOR A DELTA 5' COMM. SINK:  
CAT # SFT-6432-5025
- FOR A DELTA 8' COMM. SINK:  
CAT # SFT-10033-9426

FOR "SIT" ISLAND COUNTER TOPS  
SIMPLY SPECIFY THE LENGTH & WIDTH  
EXAMPLE: AN ISLAND TOP 38" x 26" = #SIT3026

COUNTER TOP APRON MODEL	WIDTH	HEIGHT	THICK
STA-4	UP TO 120"	4"	3/4"

COUNTER TOP MODEL	WIDTH	HEIGHT	DEPTH
SCT-17	UP TO MAXIMUM LENGTH OF 120"	1-1/4"	17"
SCT-25		1-1/4"	25"
SCT-30		1-1/4"	30"
SCT-36		1-1/4"	36"

END SPLASH MODEL	WIDTH	HEIGHT	THICK
STE-17	17"	4"	3/4"
STE-25	25"	4"	3/4"
STE-30	30"	4"	3/4"
STE-36	36"	4"	3/4"

WALL BRACE MODEL	WIDTH	HEIGHT	DEPTH
STB-17	4"	15"	15"
STB-25	4"	23"	23"
STB-30	4"	27"	27"
STB-36	4"	33"	33"



## SEBASTIAN DARKROOM PRODUCTS™ DIVISION OF CALIFORNIA STAINLESS MFG.

Unique, Innovative & Engineered to Work  
TOLL FREE (888) 712-7035 FAX (805) 484-1030

calstainless@aol.com

www.sebastiandarkroomprod.com