

SEBASTIAN DARKROOM SINKS

SEBASTIAN PVC WALL SINKS

WITH SELF DRAINING SINK BOTTOM & BACK SPLASH FAUCET DECK

SEBASTIAN SINKS ARE CONSTRUCTED OF GRAY POLYVINYL CHLORIDE, PVC, PLASTIC WHICH IS INERT TO ALL DARKROOM CHEMICALS. PVC IS EASY TO CLEAN AND MAINTAIN. "SWSBS" SINKS ARE SUPPORTED ON HEAVY DUTY PVC LEVELING LEGS. THE SINK RAIL HEIGHT IS 34" AFF (COMPLIANT WITH ADA GUIDELINES FOR WHEELCHAIR STUDENTS).

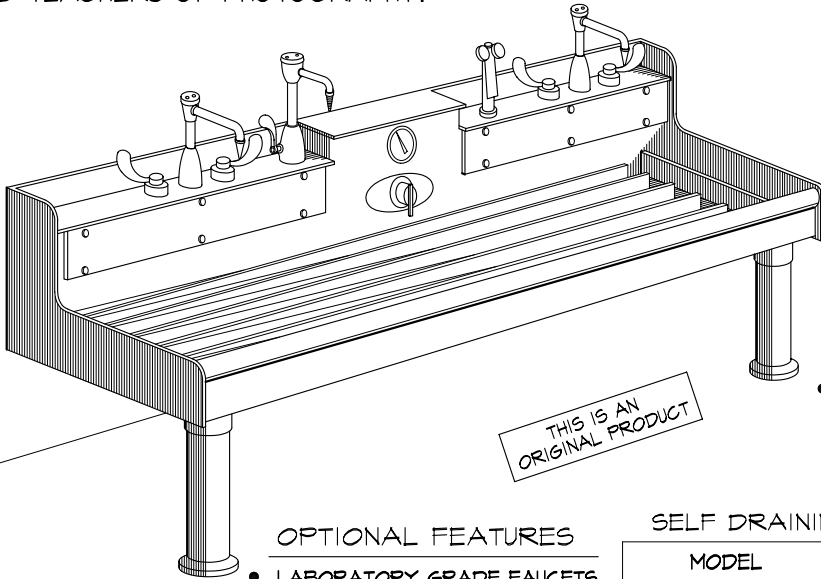
THE "SWSBS" WALL SINKS ARE MADE IN SEVERAL LENGTHS WITH A CONTINUOUS BACK SPLASH DECK FOR MOUNTING FAUCETS, EYE-WASH UNITS AND TEMPERATURE CONTROLS. THE SINK BOTTOM IS SLOPED WITH LEVEL-TRAY RESTS THE FULL LENGTH OF THE SINK. A 4" WIDE SPENT-FIX DUMP TROUGH IS PROVIDED TO CONDUCT SPENT-FIX TO AN OPTIONAL TOTE-JUG OR AN OPTIONAL SILVER RECOVERY SYSTEM. SEBASTIAN PVC WALL SINKS ARE DESIGNED AND TESTED BY PHOTOMECHANICAL ENGINEERS AND TEACHERS OF PHOTOGRAPHY.

STANDARD FEATURES

- SELF DRAINING SINK BOTTOM WITH LEVEL RIBBED TRAY RESTS
- PVC CONSTRUCTION THROUGHOUT
- TUBULAR SINK FRONT RAIL
- BACK SPLASH FAUCET DECK
- REMOVABLE SERVICE PANELS FOR SERVICING FAUCETS
- HEAVY DUTY LEVELING LEGS
- 4" WIDE SPENT-FIX DUMP TROUGH

- ILLUSTRATED PLUMBING FIXTURES ARE OPTIONAL AND ORDERED SEPARATELY (SEE PAGES 2-20 & 2-21 FOR SELECTION)

DO NOT USE SOLVENTS IN PVC SINKS



OPTIONAL FEATURES

- LABORATORY GRADE FAUCETS WITH WRIST BLADE HANDLES
- MIXING FAUCET w/VAC BREAKER
- SWING SPOUT FAUCET (SEE PAGE 2-14 FOR SELECTION)
- TEMPERATURE REGULATION
- DUAL-HEAD EYE-WASH UNIT
- TEMP CONTROL WATER JACKET
- WATER PRESSURE BALANCER
- E-106XT+2BM (UNDERSINK) SILVER RECOVERY SYSTEM

SELF DRAINING BOTTOM WALL SINK MODELS

MODEL	OVERALL LENGTH	OVERALL WIDTH	INSIDE L x W x D	NUMBER OF LEGS
SWSBS-6033-S	5'-0"	2'-9"	53"x23"x5"	2
SWSBS-7233-S	6'-0"	2'-9"	65"x23"x5"	2
SWSBS-8433-S	7'-0"	2'-9"	77"x23"x5"	2
SWSBS-9633-S	8'-0"	2'-9"	89"x23"x5"	3
SWSBS-10833-S	9'-0"	2'-9"	101"x23"x5"	3
SWSBS-12033-S	10'-0"	2'-9"	113"x23"x5"	3
SWSBS-14433-S	12'-0"	2'-9"	137"x23"x5"	4
SWSBS-16833-S	14'-0"	2'-9"	161"x23"x5"	4
SWSBS-19233-S	16'-0"	2'-9"	185"x23"x5"	5

OTHER SINK SIZES ARE AVAILABLE



SEBASTIAN DARKROOM PRODUCTS™

DIVISION OF CALIFORNIA STAINLESS MFG.

Unique, Innovative & Engineered to Work
TOLL FREE (888) 712-7035 FAX (805) 484-1030

calstainless@aol.com

www.sebastiandarkroomprod.com