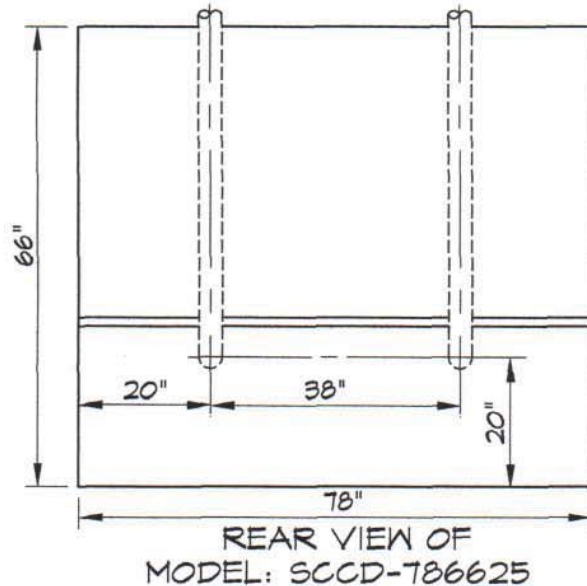
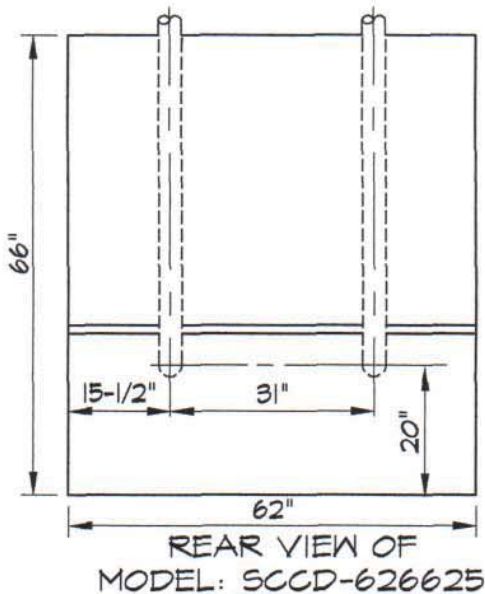
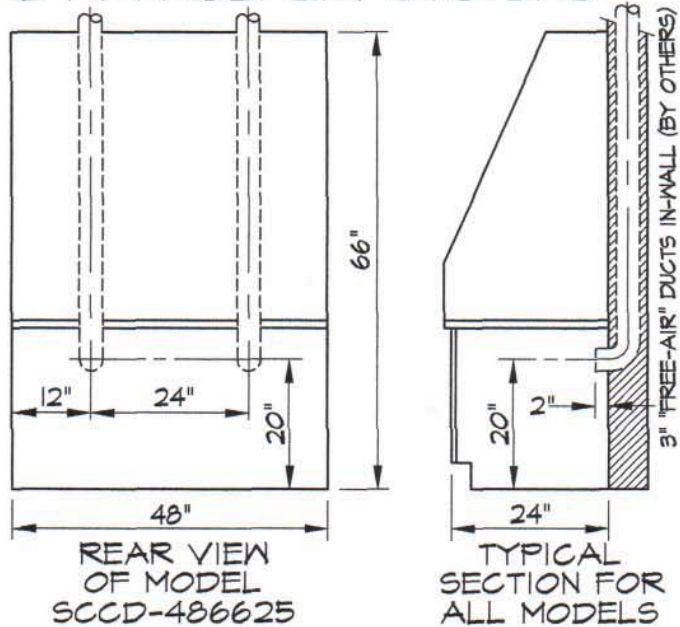


SEBASTIAN EQUIPMENT

"FREE-AIR" VENTILATION DUCT DATA FOR ALL SEBASTIAN CHEMICAL MANAGEMENT SYSTEMS

A REAR ELEVATION OF EACH MODEL OF THE CHEMICAL MANAGEMENT SYSTEMS ARE SHOWN HERE WITH DIMENSIONS TO LOCATE THE IN-WALL 3"φ (3-1/2" OD) PVC PIPE IN THE WALL. (SUPPLIED AND INSTALLED IN WALL BY OTHERS)

AN INTERIOR PROFILE SECTION VIEW SHOWS THE DUCT ELBOW PROTRUDING THROUGH THE WALL 2" INTO THE BASE CABINET. USE CAULKING TO SEAL THE DUCT TO THE CABINET FOR MAXIMUM EXHAUST OF CHEMICAL FUMES.



SEE CATALOG PAGE #2-28 FOR ADDITIONAL ILLUSTRATION AND DETAILS

3-22-13



SEBASTIAN DARKROOM PRODUCTS™
 DIVISION OF CALIFORNIA STAINLESS MFG., INC.
 UNIQUE, INNOVATIVE & ENGINEERED TO WORK
 TOLL FREE (888) 712-7035 FAX (805) 484-1030
 calstainless@aol.com www.sebastiandarkroomprod.com