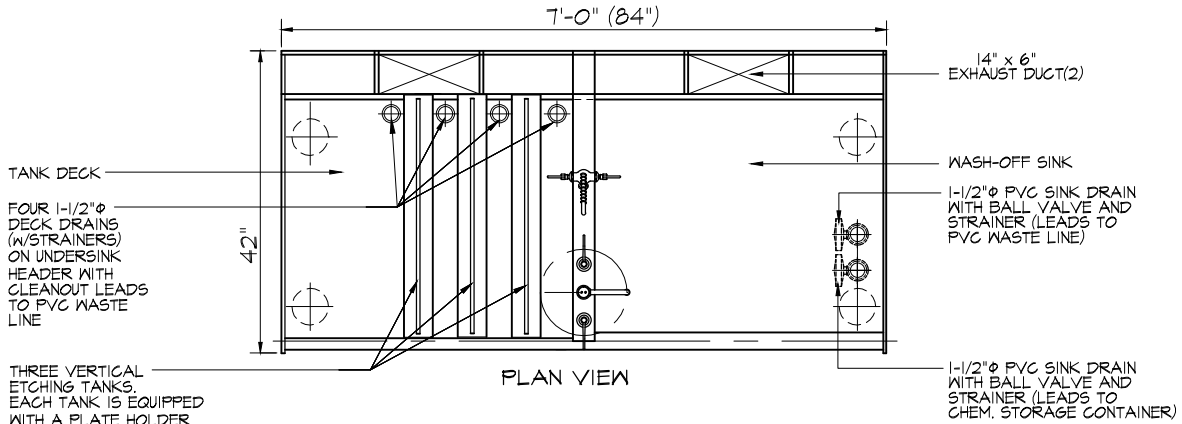


# SEBASTIAN PRINTMAKING EQUIPMENT

## VERTICAL LITHO-PLATE ETCHING

WHERE AN "EMERGENCY-SAFETY-SHOWER w/EYE/FACE WASH" IS LOCATED IN THE SAME ROOM

SEBASTIAN ADA PVC VERTICAL TANK ETCHING/WASH SINK WITH  
 SLOT-VENT FUME EXHAUST SYSTEM & WITH EYE/FACE WASH UNIT  
 MODEL: SVENS-904234EW



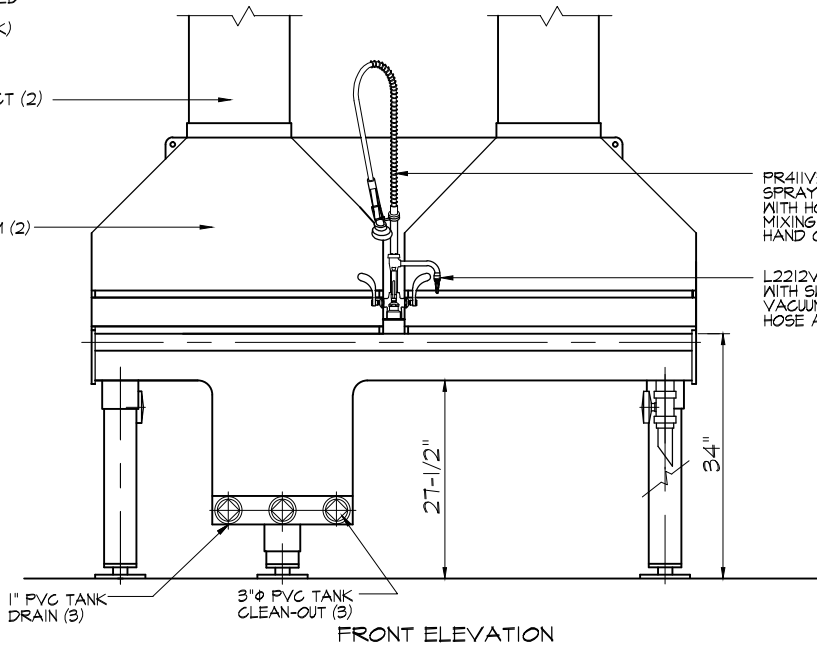
THREE VERTICAL ETCHING TANKS. EACH TANK IS EQUIPPED WITH A PLATE HOLDER FOR PLATES UP TO 20" x 30" IN SIZE. EACH TANK IS EQUIPPED WITH A PVC COVER (SHOWN ON EACH TANK)

14"x6" PVC FUME DUCT (2)  
 560 cfm REQUIRED AT EACH PLENUM WITH SLIDE DAMPER 30" MIN. ABOVE PLENUM THROAT

FUME EXHAUST PLENUM (2)

PR411VB-110BH SPRAY HOSE UNIT WITH HOT & COLD MIXING & NOZZLE HAND CONTROL

L2212VB-BH MIXING FAUCET WITH SWING GOOSENECK, VACUUM BREAKER AND HOSE ADAPTER



12-1-2014



SEBASTIAN DARKROOM PRODUCTS™

DIVISION OF CALIFORNIA STAINLESS MFG., INC.

UNIQUE, INNOVATIVE & ENGINEERED TO WORK

TOLL FREE (888) 712-7035 FAX (805) 484-1030

calstainless@aol.com www.sebastiandarkroomprod.com

PM-40