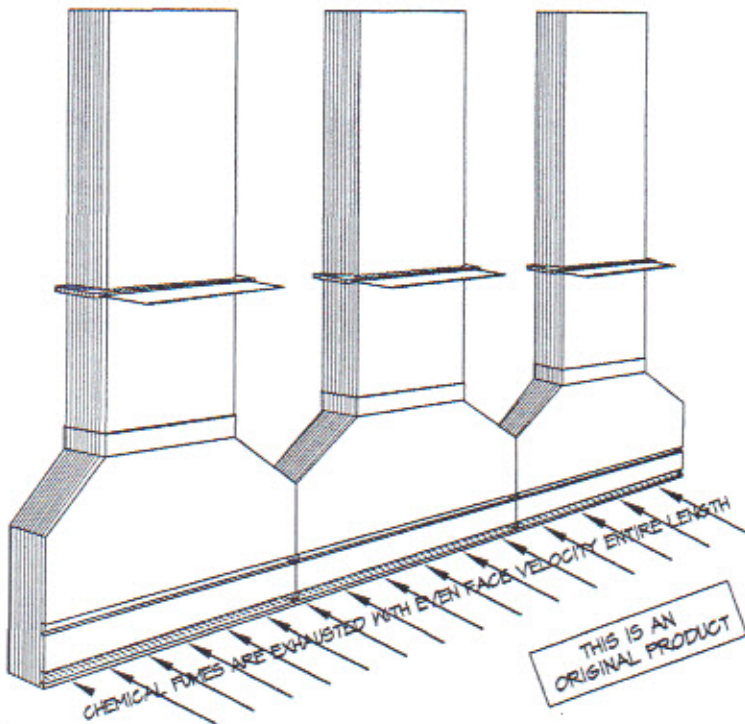


SEBASTIAN PRINTMAKING EQUIPMENT

SEBASTIAN CONTINUOUS SLOT-VENT-HOOD

A FUME EXHAUST SLOT-VENTILATION SYSTEM
FOR ALL PRINTMAKING ACID ETCHING OPERATIONS

AN EXCELLENT FUME EXHAUST HOOD FOR REMOVING
ACID FUMES FROM OPEN TANKS & OPEN ACID TRAYS



- MADE ENTIRELY OF GRAY PVC PLASTIC FOR ACID ETCHING IN TRAYS & TANKS.
- FUME EXHAUST STACKS ARE EQUIPPED WITH MANUEL AIR BALANCING SLIDE DAMPERS FOR POST-INSTALLATION AIR BALANCING BY OTHERS. STACKS ARE SUPPLIED TO A HEIGHT OF 9'-6" ABOVE FINISHED FLOOR.
- DUCTWORK ABOVE CEILING AND FANS ARE SUPPLIED BY OTHERS.
- DESIGNED BY PHOTOMECHANICAL ENGINEERS AND PRINTMAKING TEACHERS.

Cfm REQUIREMENTS FOR VARIOUS WORK-AREA WIDTHS

SLOT-VENT MODEL	OVERALL LENGTH	# OF 8" STACKS	AREA WIDTH	CFM PER STACK	AREA WIDTH	CFM PER STACK	AREA WIDTH	CFM PER STACK
SWSVH-2	60"	2	30"	313	36"	375	42"	438
SWSVH-3	90"	3	30"	313	36"	375	42"	438
SWSVH-4	120"	4	30"	313	36"	375	42"	438

WHEN ORDERING SPECIFY THE LENGTH & WIDTH OF THE WORK AREA

2-28-2018



SEBASTIAN DARKROOM PRODUCTS™
DIVISION OF CALIFORNIA STAINLESS MFG., INC.

UNIQUE, INNOVATIVE & ENGINEERED TO WORK
TOLL FREE (888) 712-7035 FAX (805) 484-1030
calstainless@aol.com www.sebastiandarkroomprod.com

PM-3