

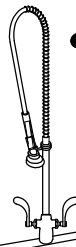
# SEBASTIAN PRINTMAKING EQUIPMENT

## SEBASTIAN LITHO-STONE GRAINING SINK

MODEL: SLSGS-1024532

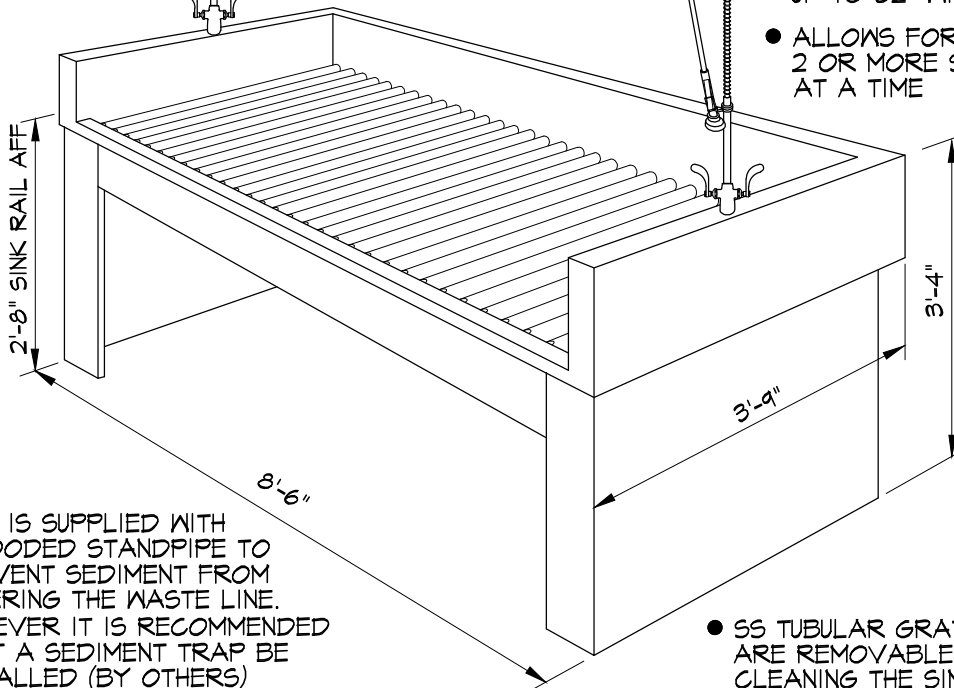
SEBASTIAN ADA 14 GA. TYPE 304 STAINLESS STEEL SINK WITH BACKSPLASH, NO. 4 FINISH, 16 GA. REINFORCED STAINLESS STEEL UNDER-SINK ANGLE SUPPORTS WITH 1/2" THICK SOUND DEADENING PANEL AND SINK LEVELING FLOOR PADS. SS TUBULAR GRATE ADEQUATELY SUPPORTS HEAVY LITHO-STONES AND REDUCES WASH-WATER SPLASHING TO A MINIMUM.

- OTHER SIZES ARE AVAILABLE UPON REQUEST
- SMOOTH TUBULAR GRATE SUPPORTS LITHO-STONES WITHOUT DAMAGING OR MARKING THEM



- 2 WATER SAVER PR411-110BH WATER SPRAY HOSE WITH VACUUM BREAKER & HAND CONTROL

- RUGGED STAINLESS STEEL CONSTRUCTION THROUGHOUT
- LITHO-STONES SLIDE ON AND OFF AT SINK RAIL HEIGHT
- ACCOMODATES STONES UP TO 32" WIDE
- ALLOWS FOR GRAINING 2 OR MORE STONES AT A TIME



- SINK IS SUPPLIED WITH A HOODED STANDPIPE TO PREVENT SEDIMENT FROM ENTERING THE WASTE LINE. HOWEVER IT IS RECOMMENDED THAT A SEDIMENT TRAP BE INSTALLED (BY OTHERS)

- SS TUBULAR GRATE SECTIONS ARE REMOVABLE FOR CLEANING THE SINK

12-1-2014



SEBASTIAN DARKROOM PRODUCTS™  
 DIVISION OF CALIFORNIA STAINLESS MFG., INC.  
 UNIQUE, INNOVATIVE & ENGINEERED TO WORK  
 TOLL FREE (888) 712-7035 FAX (805) 484-1030  
 calstainless@aol.com www.sebastiandarkroomprod.com